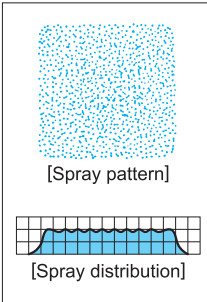


Square Spray Nozzles

SSXP / SSXP-HTPVC



[Features]

- Square full cone spray pattern with uniform distribution.
- Wide spray angle of 90–100° provides large spray coverage.
- Square full cone spray pattern leaves no gaps in multiple-nozzle arrangements.
- X-shaped whirler provides large free passage diameter for minimal clogging.

[Standard Pressure]

SSXP series: 0.2 MPa
SSXP-HTPVC series: 0.15 MPa

[Applications]

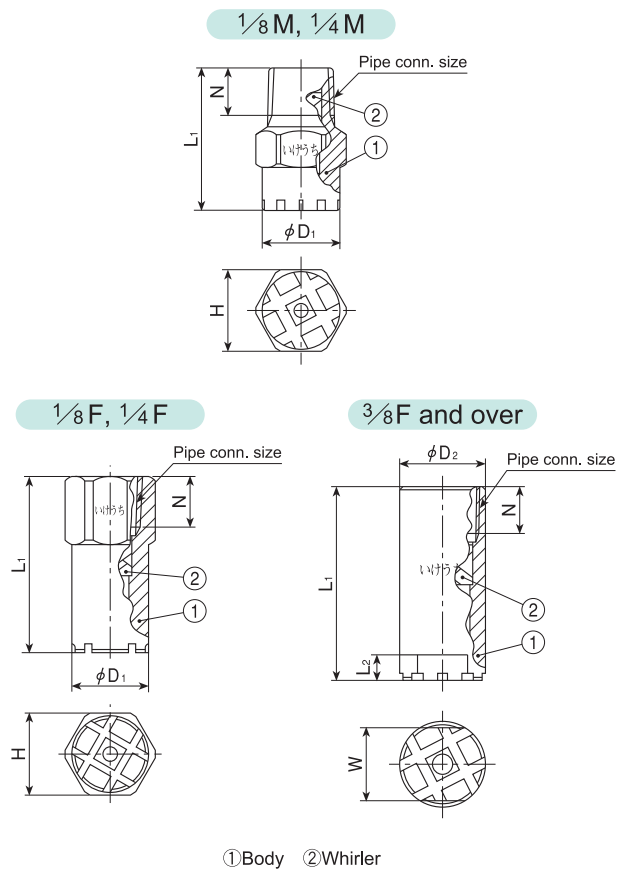
Cleaning: Gas, incinerator fumes, machinery, eliminators, screen, tanks, crushed stones, earth and sand
Cooling: Gas, machinery, tanks, steels
Spraying: Waste water treatment, foam breaking, fire extinguishing, dust suppression

SSXP series

SSXP series	
Structure	● One-piece structure with press-fit X-shaped whirler.
Material	<ul style="list-style-type: none"> ● Sizes 1F or smaller: S303 or B (brass) ● Sizes 1½F or larger: S316 (SCS14) ● Optional material: S316L (SCS16)

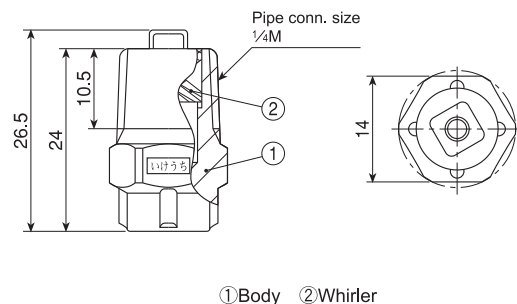
Pipe conn. size	Dimensions (mm)							Mass (g)	
	L ₁	L ₂	H	W	φD ₁	φD ₂	N	S303 S316	B
1/8M	21	—	12	—	11.5	—	7	11.5	12
1/4M	29	—	14	—	13.5	—	10.5	20	21.5
1/8F	27	—	12	—	11.5	—	7	18	19
1/4F	36.5	—	17	—	16	—	10.5	45	46
3/8F	45.5	6	—	17	—	20	11	70	74
1/2F	56	8	—	22	—	25	14	150	160
3/4F	73	10	—	27	—	32	15	300	320
1F	94	14	—	34	—	40	17	575	620
1½F	131	20	—	50	—	58	19	1,690	—
2F	168	24	—	60	—	70	23	2,910	—
2½F	199	27	—	80	—	90	27	5,860	—
3F	220	30	—	90	—	105	30	9,420	—

[Note] Appearance and dimensions may differ slightly depending on materials and nozzle codes.



SSXP-HTPVC series

SSXP-HTPVC series	
Structure	● One-piece structure with removable X-shaped whirler.
Material	● HTPVC (heat-treated polyvinyl chloride)
Mass	● 3.1 g



[Note] Appearance and dimensions may differ slightly depending on materials and nozzle codes.

Square Spray Nozzles

SSXP / SSXP-HTPVC series

SSXP series

Spray Capacity Code	Pipe Conn. Size				Spray Angle (°)			Spray Capacity (ℓ/min)									Mean Drop. Dia. (μm)	Free Pass. Dia. (mm)
	1/8M	1/4M	3/8F	1/2F	0.05 MPa	0.2 MPa	0.5 MPa	0.03 MPa	0.05 MPa	0.1 MPa	0.15 MPa	0.2 MPa	0.3 MPa	0.5 MPa	0.7 MPa	1 MPa		
020	○		○		86	90	81	—	1.06	1.46	1.75	2.00	2.36	2.91	3.34	3.86	330	0.9
030	○		○		86	90	81	—	1.59	2.18	2.63	3.00	3.54	4.36	5.00	5.79	380	1.2
040		○		○	90	95	85	—	2.12	2.91	3.51	4.00	4.72	5.81	6.67	7.72	360	1.3
050		○		○	91	95	86	—	2.65	3.64	4.38	5.00	5.90	7.27	8.34	9.64	360	1.7
060		○		○	91	95	86	2.51	3.18	4.37	5.26	6.00	7.08	8.72	10.0	11.6	490	1.7

Spray Capacity Code	Pipe Conn. Size								Spray Angle (°)			Spray Capacity (ℓ/min)									Mean Drop. Dia. (μm)	Free Pass. Dia. (mm)
	3/8F	1/2F	3/4F	1F	1 1/2F	2F	2 1/2F	3F	0.05 MPa	0.2 MPa	0.5 MPa	0.03 MPa	0.05 MPa	0.1 MPa	0.15 MPa	0.2 MPa	0.3 MPa	0.5 MPa	0.7 MPa	1 MPa		
070	○								94	100	89	2.93	3.71	5.09	6.14	7.00	8.26	10.2	11.7	13.5	440	2.0
080	○								95	100	90	3.35	4.24	5.82	7.01	8.00	9.44	11.6	13.3	15.4	360	2.0
10	○								96	100	91	4.19	5.29	7.28	8.77	10.0	11.8	14.5	16.7	19.3	360	2.6
12	○								97	100	92	5.03	6.35	8.73	10.5	12.0	14.2	17.4	20.0	23.1	630	2.6
16		○							95	100	90	6.70	8.47	11.6	14.0	16.0	18.9	23.3	26.7	30.9	360	2.8
20		○							96	100	91	8.36	10.6	14.6	17.5	20.0	23.6	29.1	33.4	38.6	710	3.5
30			○						96	100	91	12.6	15.9	21.8	26.3	30.0	35.4	43.6	50.0	57.9	360	3.8
40			○						97	100	92	16.8	21.2	29.1	35.1	40.0	47.2	58.1	66.7	77.2	360	4.8
50				○					95	100	90	20.9	26.5	36.4	43.8	50.0	59.0	72.7	83.4	96.4	750	5.4
60				○					96	100	91	25.1	31.8	43.7	52.6	60.0	70.8	87.2	100	115	360	5.4
80				○					97	100	92	33.5	42.4	58.2	70.1	80.0	94.4	115	135	155	1,000	6.0
100					○				96	100	91	41.9	52.9	72.8	87.7	100	120	145	170	195	360	7.1
150					○				97	100	92	62.8	79.4	110	130	150	180	220	250	290	360	10.2
300						○			97	100	92	125	160	220	265	300	355	435	500	580	1,350	12.7
500							○		97	100	92	210	265	365	440	500	590	730	835	965	1,500	16.8
700								○	97	100	92	290	370	510	615	700	826	1,020	1,170	1,350	1,700	17.1

SSXP-HTPVC series

Spray Angle (°)			Spray Capacity (ℓ/min)								Mean Drop. Dia. (μm)	Free Pass. Dia. (mm)
0.05 MPa	0.15 MPa	0.5 MPa	0.05 MPa	0.1 MPa	0.15 MPa	0.2 MPa	0.3 MPa	0.5 MPa	0.7 MPa	1 MPa		
56	65	65	2.72	3.74	4.50	5.14	6.06	7.46	8.56	9.90	450	2.2

How to order

Please inquire or order for a specific nozzle using this coding system.

① SSXP series (metal)

<Example>...1/8MSSXP020S303

1/8M	SSXP	020	S303
<small>Pipe Conn. Size</small>		<small>Spray Capacity Code</small>	<small>Material</small>
1/8M		020	S303
3F		700	S316

② SSXP-HTPVC series (plastic)

1/4MSSXP 1.5 ⁶⁵/_{4.5} HTPVC