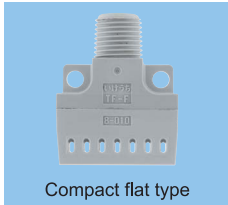




Flat type



Flat type



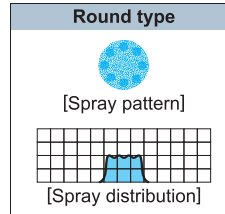
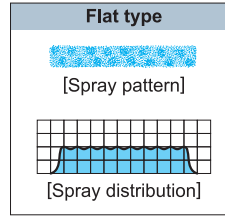
Compact flat type



Round type



Round type



[Features]

- Takes in surrounding air, boosting the volume of powerful air blow. Ideal for blow-off drying.
- Uniform and efficient air blow with lower air consumption.
- Designed to have minimal noise level.
- Available in economical plastic or chemical/heat resistant stainless steel, in spray patterns of Flat type or Round type.

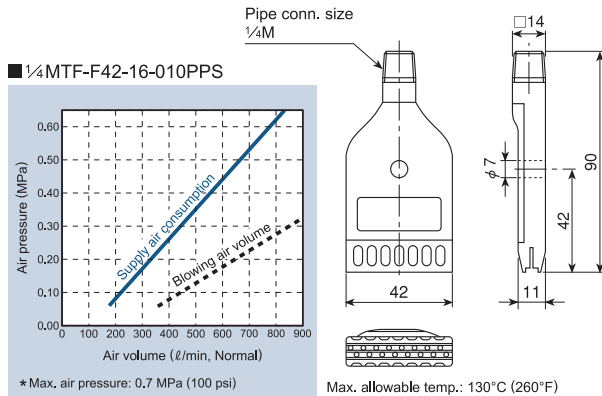
[Applications]

- Blow-off drying
- Blowing off dust
- Cooling
- Cleaning

TAIFUJet® series (Flat type / Plastic)

	TAIFUJet® series (Flat type, 42 mm wide)
Material	• PPS (polyphenylene sulfide)
Mass	• 30 g

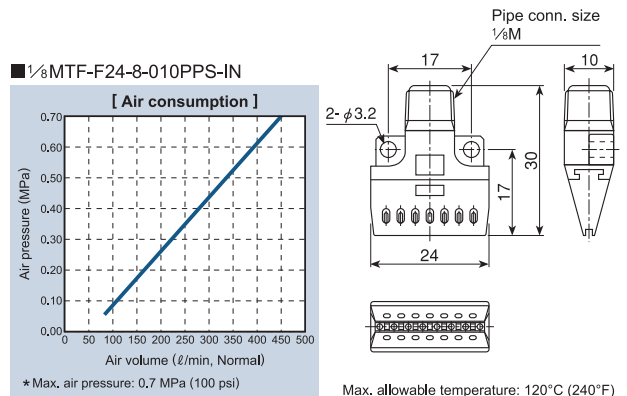
[Note] Appearance and dimensions may differ slightly depending on materials and nozzle codes.



TAIFUJet® series (Compact flat type / Plastic)

	TAIFUJet® series (Flat type, 24 mm wide)
Material	• PPS (polyphenylene sulfide)
Mass	• 4 g

[Note] Appearance and dimensions may differ slightly depending on materials and nozzle codes.



TAIFUJet® series (Flat type / Stainless-steel)

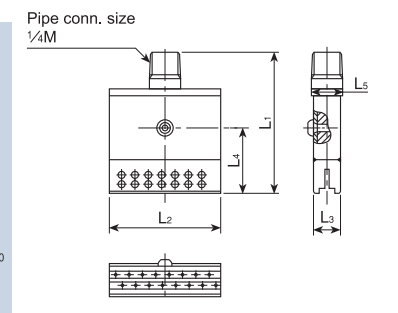
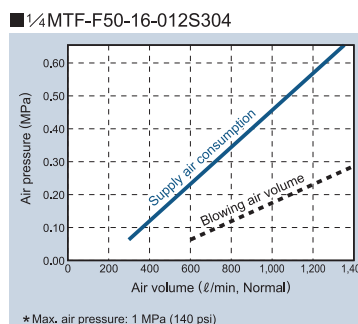
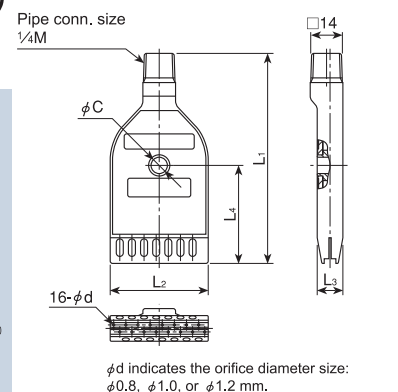
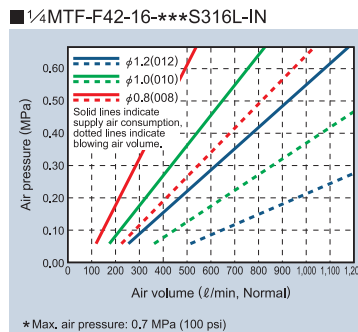
	TAIFUJet® series (Flat type, 42 mm or 50 mm wide)
Material	• 42 mm type: S316L equivalent • 50 mm type: S304

Nozzle code	Dimensions (mm)						Mass (g)
	L1	L2	L3	L4	L5	φC	
TAIFUJet® 1/4MTF-F42-16-***S316L-IN	90	42	11	42	—	7	144
TAIFUJet® 1/4MTF-F50-16-012S304	65	50	12	30	14	—	140

[Note] • Appearance and dimensions may differ slightly depending on materials and nozzle codes.
• Maximum allowable temperature: 400°C (750°F)

1/4MTF-F42-16 is available in orifice diameters of φ0.8, φ1.0, or φ1.2 mm.

Enter 008 for φ0.8 mm, 010 for φ1.0 mm, or 012 for φ1.2 mm in place of *** in the nozzle codes when you order.



TAIFUJet® series (Round type / Plastic)

	TAIFUJet® series (Round type, PP)
Material	● PP (polypropylene)
Mass	● 2 g

Max. allowable temperature: 60°C (140°F)

■ 1/4 MTF-R8-010PP-IN
Pipe conn. size 1/4M

■ **Air consumption (Round type)**

* Max. air pressure: 0.7 MPa (100 psi) for plastic round type, 1 MPa (140 psi) for stainless steel round type.

■ **Noise level comparison (Round type)**

TAIFUJet® series (Round type / Stainless-steel)

	TAIFUJet® series (Round type, Stainless-steel)
Material	● S316L equivalent

[Note] Surface gloss may vary depending on nozzle size.

Nozzle code	Pipe conn. size	Dimensions (mm)			Mass (g)
		L	H	N	
TAIFUJet® 1/8 MTF-R8-△△△ S316L-IN	1/8M	20	12	7	7
TAIFUJet® 1/4 MTF-R8-▲▲▲ S316L-IN	1/4M	25	14	9.5	12

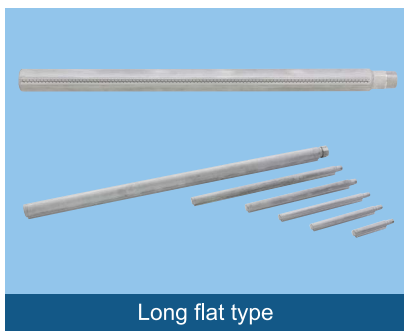
Max. allowable temperature: 400°C (750°F)

- Enter 008 for φ0.8 mm, 010 for φ1.0 mm, 012 for φ1.2 mm, or 014 for φ1.4 mm in place of △△△ in the nozzle codes.
- Enter 010 for φ1.0 mm, 012 for φ1.2 mm, 014 for φ1.4 mm, or 016 for φ1.6 mm in place of ▲▲▲ in the nozzle codes.

■ 1/8 MTF-R8-△△△ S316L-IN
1/4 MTF-R8-▲▲▲ S316L-IN
Pipe conn. size

φ d indicates the orifice diameter size: φ0.8, φ1.0, φ1.2, φ1.4, or φ1.6 mm.

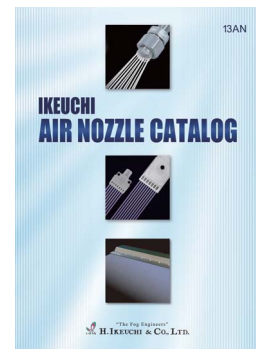
Related Products



● Made of stainless steel. Available effective widths in 100, 150, 200, 300, 400, 500, 600, 700, 800, 900, 1,000, 1,200, and 1,400 mm.



● Header with a cluster of multiple round-type stainless steel air nozzles. Header and adaptor made of stainless steel or aluminum. Please contact us for details.



Please refer to our AIR NOZZLE CATALOG for TAIFUJet® and other air nozzles.

How to order

Please inquire or order for a specific nozzle using this coding system.

① Flat type made of plastic (PPS)

1/4 MTF-F42-16-010PPS

② Compact flat type made of plastic (PPS)

1/8 MTF-F24-8-010PPS-IN

③ Flat type made of stainless steel

1/4 MTF-F42-16-*** S316L-IN

1/4 MTF-F50-16-012S304

***.....008 or 010 or 012

④ Round type made of plastic (PP)

1/4 MTF-R8-010PP-IN

⑤ Round type made of stainless steel

1/8 MTF-R8-△△△ S316L-IN

1/4 MTF-R8-▲▲▲ S316L-IN

△△△.....008 or 010 or 012 or 014

▲▲▲.....010 or 012 or 014 or 016

1/4M(NPT) threaded types are also available for 1/4M TF-F 42-16-010 PPS and 42-16-*** S316L-IN. (For the other TAIFUJet® models, the standard thread type is PT only.)