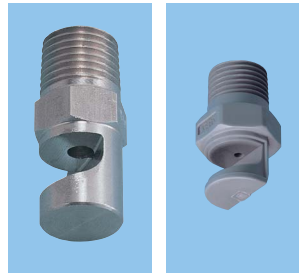


Wide-angle Flat Spray Nozzles

YYP

Flat Spray



[Features]

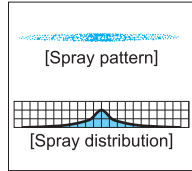
- Capable of generating wide-angle flat spray even at low liquid pressure.
- YYP clogs the least compared with other flat spray nozzles, although the spray impact is less strong.
- Spray direction is 75° to the nozzle axis.

[Standard Pressure]

0.15 MPa

[Applications]

- Cleaning: Conveyor belts, film, eliminator plates, plate glass, planks
- Foam breaking: Waste water treatment, paper manufactures
- Cooling: Conveyor belts, roofs, tanks
- Water screen: Fire protection, heat protection, deodorization
- Others: Applications which require wide angle flat spray at low pressures



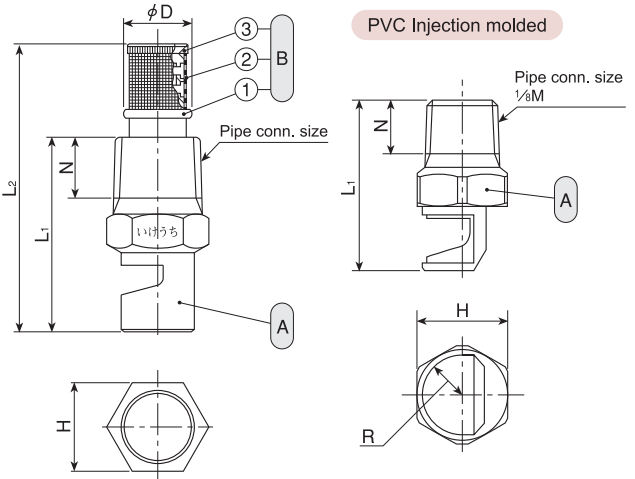
YYP series

YYP series	
Structure	• Made of metal or plastic, one-piece structure.
Material	• S303 or B (brass), Injection-molded PVC (polyvinyl chloride) • Optional material: S316 or others

Series	Pipe conn. size *2	Dimensions (mm)						Mass (g)*1		
		L ₁	L ₂	H	φD	N	R	S303	B	PVC
YYP	1/8M (03-13)	23	35.5	10	7.5	7	—	7.5	8	—
	1/8M (16-60)	25	—	10	—	7	—	9.3	10	—
	1/4M	34	—	14	—	10.5	—	28	30	—
	3/8M	44	—	19	—	11	—	65	72	—
	1/2M	50	—	22	—	14	—	105	112	—
	3/4M (620)	55	—	27	—	15	—	175	187	—
	3/4M (1000)	65	—	36	—	15	—	345	370	—
YYP (Injection molded)	1/8M (03-13)	21.5	—	12	—	7	4.5	—	—	1.8
	1/8M (16-30)	22.5	—	12	—	7	5.25	—	—	1.8

*1) When with a strainer, add 2-5 g to the above mass.
*2) Figures in () after the pipe connection sizes indicate the spray capacity codes.

[Note] Appearance and dimensions may differ slightly depending on materials and nozzle codes.



① Nozzle
② Strainer (1: Strainer holder 2: Strainer screen [S316] 3: Strainer cap)

YYP series (Metal)

Spray Capacity Code	Pipe Conn. Size						Spray Angle (°)			Spray Capacity (ℓ/min)					Mean Drop. Dia. (μm)	Free Pass. Dia. (mm)	Strainer Mesh Size
	1/8M	1/4M	3/8M	1/2M	3/4M	1 M	0.05 MPa	0.15 MPa	0.2 MPa	0.03 MPa	0.05 MPa	0.1 MPa	0.15 MPa	0.2 MPa			
03	●						—	100	107	—	—	0.25	0.30	0.35	190	0.6	100
04	●						—	120	126	—	—	0.33	0.40	0.46		0.7	50
05	●						—	130	136	—	—	0.41	0.50	0.58		0.8	50
07	○						—	130	136	—	—	0.57	0.70	0.81	∩	1.0	—
10	○						103	130	135	—	0.58	0.82	1.00	1.15		1.1	—
13	○						108	130	135	—	0.75	1.06	1.30	1.50		1.3	—
16	○						110	130	134	—	0.92	1.31	1.60	1.85	280	1.5	—
20	○						116	135	139	0.89	1.15	1.63	2.00	2.31		1.7	—
25	○						117	135	139	1.12	1.44	2.04	2.50	2.89		1.8	—
30	○						118	135	139	1.34	1.73	2.45	3.00	3.46	∩	2.0	—
40	○						119	135	139	1.79	2.31	3.27	4.00	4.62		2.4	—
50	○						120	135	138	2.24	2.89	4.08	5.00	5.77		2.6	—
60	○						121	135	138	2.68	3.46	4.90	6.00	6.93	470	2.8	—

●.....With strainer ○.....Without strainer

Wide-angle Flat Spray Nozzles YYP series

Flat Spray

YYP series (Metal)

Spray Capacity Code	Pipe Conn. Size						Spray Angle (°)			Spray Capacity (ℓ/min)					Mean Drop. Dia. (μm)	Free Pass. Dia. (mm)	Strainer Mesh Size
	1/8M	1/4M	3/8M	1/2M	3/4M	1M	0.05 MPa	0.15 MPa	0.2 MPa	0.03 MPa	0.05 MPa	0.1 MPa	0.15 MPa	0.2 MPa			
70		○					125	140	144	3.13	4.04	5.72	7.00	8.08	480	3.1	—
100		○					128	140	143	4.47	5.77	8.16	10.0	11.5	∫	3.6	—
140		○					130	140	143	6.26	8.08	11.4	14.0	16.2	610	4.3	—
180			○				131	140	142	8.05	10.4	14.7	18.0	20.8	∫	4.8	—
230			○				133	140	142	10.3	13.3	18.8	23.0	26.6	650	5.3	—
320				○			134	140	142	14.3	18.5	26.1	32.0	37.0	∫	6.4	—
450				○			135	140	142	20.1	26.0	36.7	45.0	52.0	850	7.6	—
620					○		135	140	142	27.7	35.8	50.6	62.0	71.6	∫	9.0	—
1000					○		135	140	141	44.7	57.7	81.6	100	115	1,150	11.4	—
1500						○	136	140	140	67.1	86.6	122	150	173	1,100	14.5	—
2500						○	136	140	140	112	155	204	250	289	1,550	18.5	—

●.....With strainer ○.....Without strainer

YYP-PVC series (Injection molded)

Spray Capacity Code	Spray Angle (°)			Spray Capacity (ℓ/min)					Mean Droplet Diameter (μm)	Free Passage Diameter (mm)
	0.05 MPa	0.15 MPa	0.2 MPa	0.03 MPa	0.05 MPa	0.1 MPa	0.15 MPa	0.2 MPa		
03	—	115	122	—	—	0.25	0.30	0.35	190	0.6
04	—	120	126	—	—	0.33	0.40	0.46		0.7
05	—	130	136	—	—	0.41	0.50	0.58		0.8
07	—	130	136	—	—	0.57	0.70	0.81	∫	1.0
10	103	130	135	—	0.58	0.82	1.00	1.15		1.1
13	108	130	135	—	0.75	1.06	1.30	1.50		1.3
16	110	130	134	—	0.92	1.31	1.60	1.85	280	1.5
20	116	135	139	0.89	1.15	1.63	2.00	2.31		1.7
25	117	135	139	1.12	1.44	2.04	2.50	2.89	∫	1.8
30	118	135	139	1.34	1.73	2.45	3.00	3.46	380	2.0

[Note] No strainers for injection-molded YYP-PVC series.

How to order

Please inquire or order for a specific nozzle using this coding system.

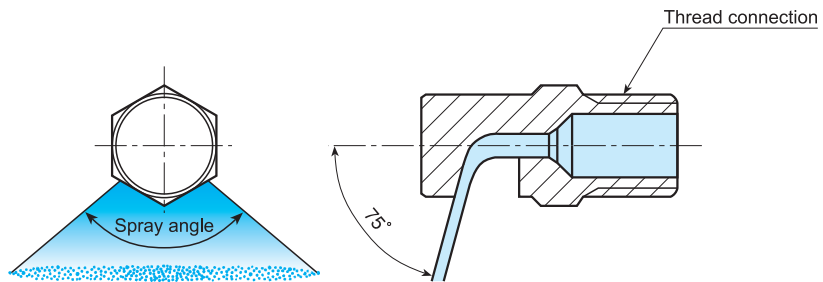
⟨Example⟩...1/8MYYP03S303W

1/8M	YYP	03	S303	W
Pipe Conn. Size		Spray Capacity Code	Material	Strainer
1/8M		03	S303	W (with Strainer)
∫		∫	B	— (without Strainer)
1M		2500	PVC (Injection molded)	

Effective Use of Wide-angle Flat Spray Nozzles

Spray Angle and Inclination Angle

Wide-angle flat spray nozzles spray at an angle of 75° to the axis of the nozzle. For installation, the inclination angle of 75° must be taken into consideration.



Free Passage Diameter

The free passage diameter shows the approximate diameter of the spray orifice. Wide-angle flat spray nozzles have the largest free passage diameters among all the flat spray nozzles having the same spray capacity and are more suitable for spraying when water quality is a problem.

Spray Distribution of LYYP series Wide-angle Flat Spray Nozzle for Ultra-low Pressure Spraying

The variation in spray distribution is minimal despite changes in the spray height and spray pressure.

